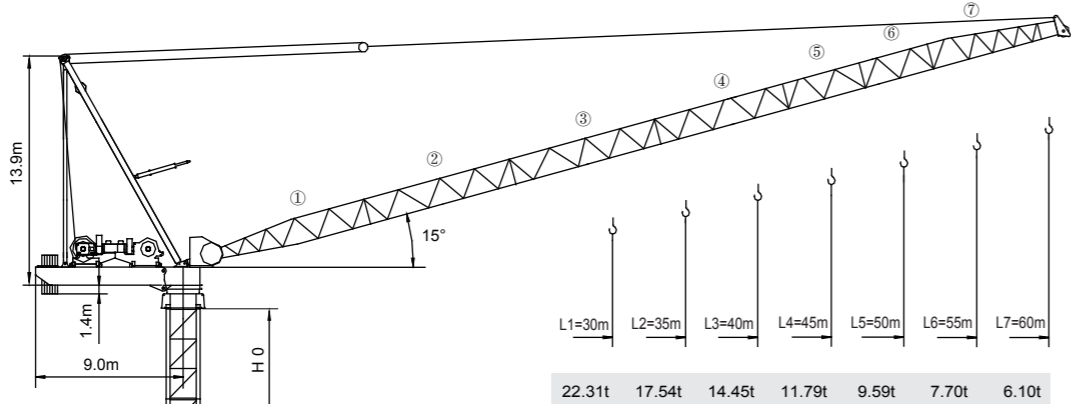


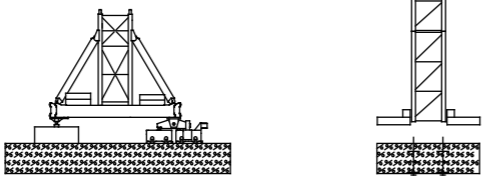
永茂建机
YONGMAO

STL600
32t



L1=30m	L2=35m	L3=40m	L4=45m	L5=50m	L6=55m	L7=60m
22.31t	17.54t	14.45t	11.79t	9.59t	7.70t	6.10t

臂架代號		Jib code	
①	SVJ7021	L1 (30m)	① + ② + ⑦
②	SVJ7022	L2 (35m)	① + ② + ⑤ + ⑦
③	SVJ7023	L3 (40m)	① + ② + ③ + ⑦
④	SVJ7024	L4 (45m)	① + ② + ③ + ⑤ + ⑦
⑤	SVJ7525	L5 (50m)	① + ② + ③ + ④ + ⑦
⑥	SVJ7525	L6 (55m)	① + ② + ③ + ④ + ⑤ + ⑦
⑦	SVJ7126	L7 (60m)	① + ② + ③ + ④ + ⑤ + ⑥ + ⑦



CE FEM

Luffing

V 5.0-09112014

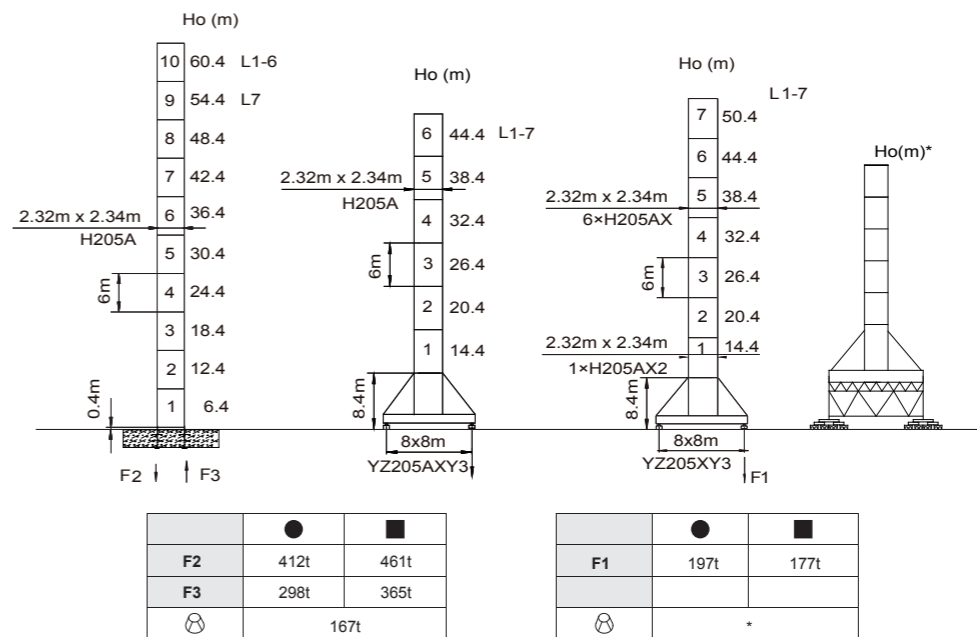
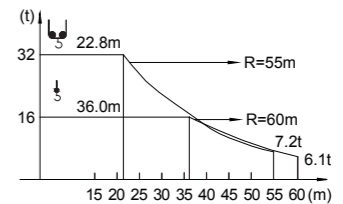
動臂系列

STL600
32t

載荷表 Load Chart

STV-32-A(B)-1-V1.0

R (m)	倍率 Fall	R(C max) (m)	C max (t)	15	20	25	30	35	40	45	50	55	60
60	↓	8.39~36.00	16.00	16.00	16.00	16.00	16.00	16.00	14.45	11.67	9.44	7.62	6.10
	U	8.39~22.70	27.00	27.00	27.00	24.40	22.31	17.54	13.95	11.17	8.94	7.12	5.60
55	↓	5.79~36.10	16.00	16.00	16.00	16.00	16.00	16.00	14.45	11.67	9.48	7.70	
	U	5.79~22.80	32.00	32.00	32.00	28.61	22.31	17.54	13.95	11.17	8.98	7.20	
50	↓	5.34~36.20	16.00	16.00	16.00	16.00	16.00	16.00	14.45	11.74	9.59		
	U	5.34~22.90	32.00	32.00	32.00	28.61	22.31	17.54	13.95	11.24	9.09		
45	↓	4.89~36.30	16.00	16.00	16.00	16.00	16.00	16.00	14.45	11.79			
	U	4.89~23.00	32.00	32.00	32.00	28.61	22.31	17.54	13.95	11.29			
40	↓	4.44~36.40	16.00	16.00	16.00	16.00	16.00	16.00	14.45				
	U	4.44~23.20	32.00	32.00	32.00	28.61	22.31	17.54	13.95				
35	↓	3.99~35.00	16.00	16.00	16.00	16.00	16.00	16.00					
	U	3.99~23.30	32.00	32.00	32.00	28.61	22.31	17.54					
30	↓	3.53~30.00	16.00	16.00	16.00	16.00	16.00						
	U	3.53~23.40	32.00	32.00	32.00	28.61	22.31						



● 工作狀態支反力 In service reaction ■ 非工作狀態支反力 Out of service reaction
 ⊕ 整機自由高度重量 (不含平衡重及壓重重量) Total weight of free standing crane (excludes counter weight & ballast)

Luffing STL600



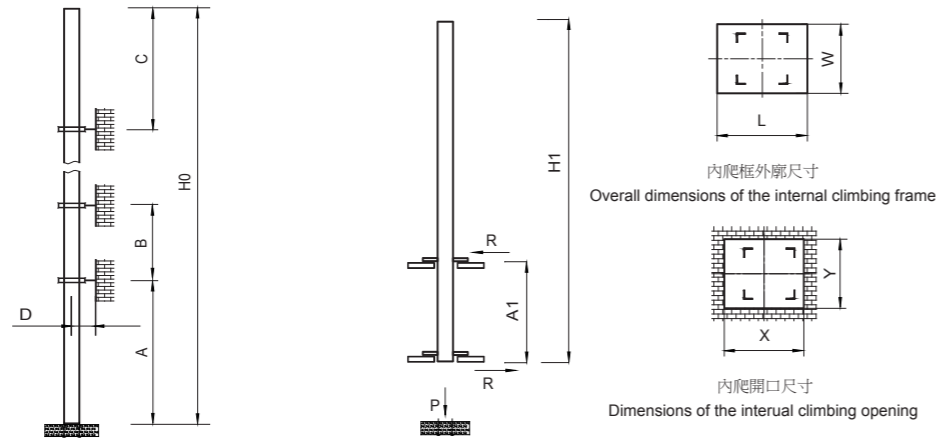
YONGMAO HOLDINGS LIMITED



YONGMAO HOLDINGS LIMITED

Luffing STL600
Luffing STL600

STL600 32t



塔身節 Mast	臂長 Jib length	A (m)	B (m)	C (m)	D (m)	H0 (m)
H205A	L1-7	39.4	24.0	39.0	>4	678 >678*

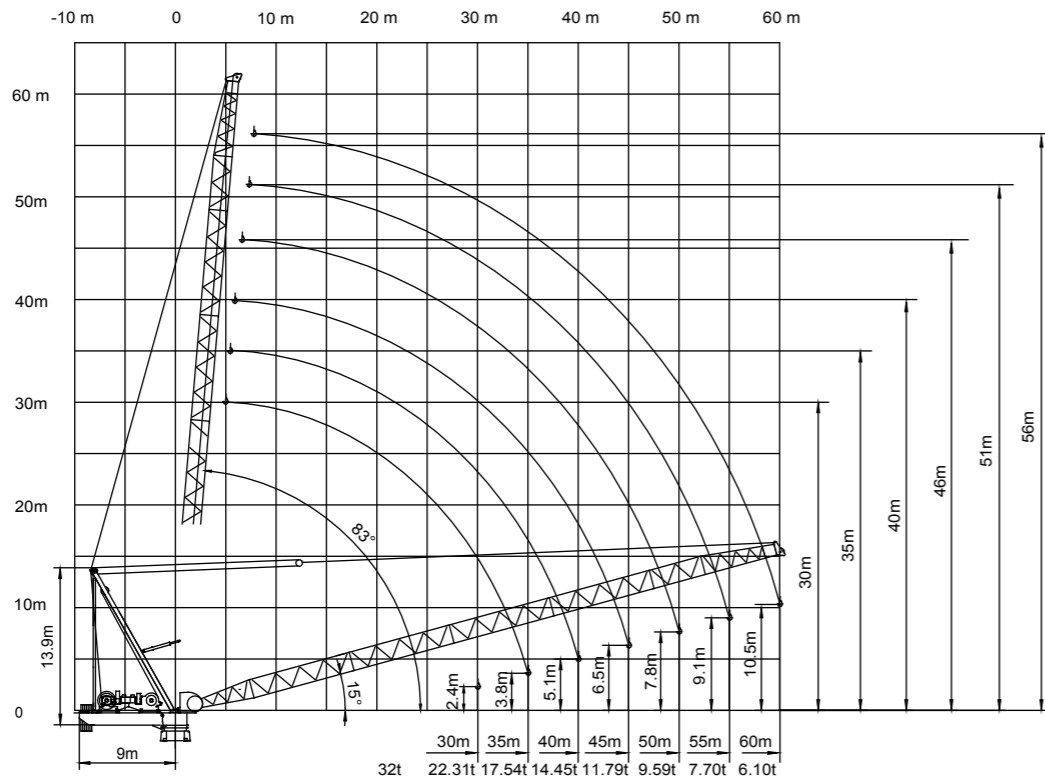
附著道數 Number of tie collars=(H0-A-C)/B+1

超過100m高度，需降低載荷，請與公司聯繫。

Load should be reduced when the height exceeds 100m.

Please contact Yongmao for details.

塔身節 Mast	臂長 Jib length	H1 (m)	A1 (m)	P (t)	R (t)
H205A	L1-6	60	18	192	64
	L7	54	18	187	62
	臂長 Jib length	X (m)	Y (m)	L (m)	W (m)
	L1-6	3.42	2.74	3.4	2.9
	L7				



STL600 32t

主要性能參數 Specifications

機構 Mechanism	●		●●		830m	電動機 Motor kW
	m/min	t	m/min	t		
▲ ▼ 200LFV160B	0-52 0-90 0-136	16.0 12.5 7.5	0-26 0-45 0-68	32.0 25.0 15.0		200
↻ 110DFV80B	15°-83° 2.5min					110
⊙ 11 RFCV	0-0.6 rpm					2x11
⊙ RTV	0-15 m/min					4x7.5

供電容量 Power supply	kVA
380V (± 10%) 50Hz	360

* 與製造商聯繫 Contact us, please.

☆ 标准配置 Standard configuration.

168
7 8

本技術參數不受法律約束，技術資訊請詳見相應說明書。
These specifications and data are not legally binding. For any technical information, please refer to corresponding instructions.



YONGMAO HOLDINGS LIMITED



YONGMAO HOLDINGS LIMITED

Luffing STL600
Luffing STL600