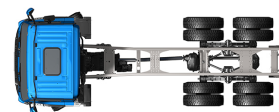


Specification sheet

CF 370

FAT 6X4 Rigid, Construction



ENGINES

- CF 370 MX-11 (270 kW / 367 hp)
- CF 410 MX-11 (300 kW / 408 hp)
- CF 450 MX-11 (330 kW / 449 hp)
- CF 430 MX-13 (315 kW / 428 hp)
- CF 480 MX-13 (355 kW / 483 hp)
- CF 530 MX-13 (390 kW / 530 hp)

GVM¹⁾

26000 kg

Max. front 7500 kg

Max. rear 19000 kg

GCM²⁾

35500 kg

CAB EXTERIOR

Day Cab with galvanised steel bumper, tinted glass and electric window openers. Main mirrors and wide angle mirrors electrically heated. Cab width 2300 mm.; LED daytime running lights; Electrically adjustable mirrors; Front view mirror.

Optional

02106 Sleeper Cab	09983 Fog lights
01137 Space Cab	09984 Fog lights and cornering lights
01226 Cab suspension air	06593 Skylights
01174 External sun visor green translucent	06628 One hazard beacon light at co-driver side
00847 Air horns, single set	06627 One hazard beacon light at driver side
09006 Air horns, double set	06629 Two hazard beacon lights

AERODYNAMICS

Optional

06776 Adjustable roof air deflector	04906 Side collars
--	---------------------------

COLOURS

Cab colour H3279 Brilliant White; Head lamp panel Stone Grey, bumper Stone Black; Chassis colour grey..

Optional

06157 Head lamp panel and bumper: Brilliant White	06485 Head lamp panel and bumper: cab colour
--	---

CAB INTERIOR

Cab interior trim colour Dark Sand; Cab interior decoration Black Rock; Driver seat: Comfort Air; Co-driver seat: basic; Automatic Temperature Control and airco; Roof hatch aluminium, manual control; Pollen filter.

Optional

09271 Steering wheel, leather, colour black	07746 Co-driver seat: Super Air
07240 Steering wheel, leather, Exclusive	07748 Co-driver seat: Xtra Leather Air
07152 Cab interior trim colour Exclusive	00967 Seat belts red
07592 Cab interior decoration Argenta	02117 Third seat
07591 Cab interior decoration Rustica	06539 Refrigerator
07733 Driver seat: Luxury Air	06783 Lower bunk foam mattress
07736 Driver seat: Super Air	06784 Lower bunk mattress Xtra Comfort
07737 Driver seat: Xtra Leather Air	06676 PL light in cab ceiling
07741 Co-driver seat: Comfort Air	06970 Automatic Cab Climate Control
07743 Co-driver seat: Luxury Air	

COMMUNICATION AND DRIVING MANAGEMENT

Tachograph digital, Stoneridge 1C; Speed limiter setting 85 km/h; Eco off 90 km/h; Antennas: AM/FM, 2x GSM, GPS; Cruise control.

Optional

09681 Preparation for Maut	07261 TruckPhone
08450 Luxury speaker system with 6 speakers	09909 Adaptive Cruise Control (ACC) with FCW
07117 Radio/USB player, 2 speakers	06991 Predictive Cruise Control
01100 Truck Navigation Radio, 6 speakers	

SAFETY AND SECURITY

No Lane Departure Warning System; Vehicle Stability Control (VSC); Basic engine immobiliser system.

Optional

08631 Air bag (driver) and 2 seat belt tensioners	09827 Side camera system
09828 Front camera system	01725 Reverse warning

SUSPENSION AND AXLES

Front axle load 8.00 t; Rear: 2x 9.50 t, trapezium, SR1132T.

Optional

01769 Front axle load 7.50 t	04549 Rear axle load 10.50+10.50 t
06257 Front axle load 9.00 t	
07494 Rear axle HR1670T	04563 Rear axle load 13.00+13.00 t

WHEELS AND TYRES

Front axle 1: 295/80R22.5; Rear axle 1: 295/80R22.5; Rear axle 2: 295/80R22.5; Disc wheels steel, silvergrey; Wheel protection rings silvergrey.

Optional

16152 Tyre makes and types

DRIVELINE

Engine MX-11, multi torque 6 cylinder diesel engine, 10.8 litres. Output 270 kW (367 hp) at 1600 rpm. Maximum torque 1900 Nm at 900-1125 rpm.; Exhaust emission Euro 6; Engine idle shutdown, 5 minutes; Automated gearbox, TraXon, 12 speeds; Gearbox ratio 12.92-0.77; Rear axle ratio 4.10.

Optional

04523 Manual gearbox, 16 speeds	07103 Automated gearbox, TraXon, 16 speeds
--	---

BRAKE SYSTEM

Exhaust brake; Ventilated disc brakes on the front axle and the non-driven rear axle(s). Drum brakes on the driven rear axle. Dual circuit air system with electronic control (EBS). Twin cylinder air compressor with heated dryer and economy mode..

Optional

09921 MX Engine Brake	02715 ZF Intarder
------------------------------	--------------------------

CHASSIS

Wheelbase 4.55 m / rear overhang 1.65 m; Side member height 310 mm; Standard component location; Exhaust pipe horizontal, low; Aluminium fuel tank 220 l, height 580 mm; No spray suppression; No front underrun protection; Tank for AdBlue® 45 l, left-hand side chassis.

Optional

06611 Exhaust pipe vertical, high	03323 Rear light with LEDs
07070 Spare wheel carrier left-hand side	

DRAWBAR AND TRAILER EQUIPMENT

D-value cross member D=13.7; No pneumatic trailer connection; No electric trailer connection.

Optional

- | | |
|--|--|
| 07033 Trailer coupling Ringfeder D=13.7 | 04624 Closing member |
| 07034 Trailer coupling Ringfeder D=20.0 | 07032 D-value cross member D=20 |
| 08026 Trailer coupling Rockinger D=13.0 | 04486 Tipper cross member |
| 08027 Trailer coupling Rockinger D=20.0 | |

BODIES AND PREPARATIONS FOR BODYING

Application connector on the cab front.

Optional

- | | |
|---|---|
| 04331 Appl connector including air control prep | 06692 Application connector on the chassis |
| 09050 Application connectors for bb remote control | |

POWER TAKE-OFF (PTO)

Optional

- 16148** PTO types and positions

ELECTRICAL POWER SUPPLY

Alternator 80 A, batteries 2x 175 Ah..

Optional

- | | |
|--------------------------------|---|
| 06460 Alternator 120 A | 07671 Batteries 2x210Ah AGM C-type |
| 08775 Alternator 150 A | |
| 01257 Batteries 2x140Ah | 06440 Batteries 2x230Ah |

GVM AND GCM

Chassis weight related technical GVM max 26000 kg; Driveline related max GCM 35500 kg class 3.

Optional

- | | |
|---|---|
| 01207 Driveline related max GCM 35500 kg class 2 | 00818 Driveline related max GCM 60000 kg class 3 |
| 03673 Driveline related max GCM 44000 kg class 2 | 02135 Driveline related max GCM 71000 kg class 2 |
| 03675 Driveline related max GCM 50000 kg class 3 | 02143 Driveline related max GCM 78000 kg class 2 |
| 00778 Driveline related max GCM 58000 kg class 2 | |

APPLICATION CONDITIONS

Air intake on the cab roof.

Optional

- 09961** Cyclonic air intake behind the cab

SERVICE AND MAINTENANCE

Standard Warranty takes care of 1 year complete vehicle, 2nd year driveline and 1st year breakdown.; ITS service.

Optional

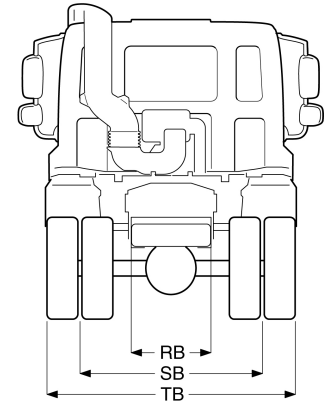
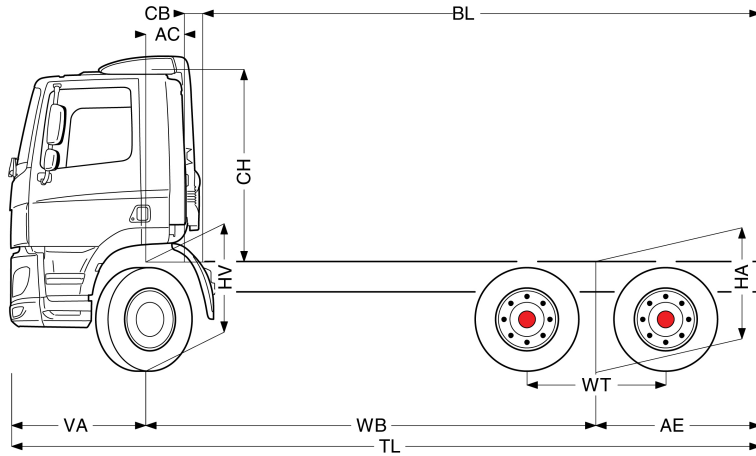
- 08311** Service interval extended



Go to [DAF.com](https://www.daf.com) to configure your own perfect DAF.

CF 370

FAT 6X4 Rigid, Construction



	Wheelbase - AE		Unladen weight ⁹⁾			Gross Carrying Capacity			Variable dimensions									
	WB	AE ⁵⁾	Front	Rear	Total	Front	Rear	Total	AC	CB ⁶⁾	CH ⁷⁾	BL ⁸⁾	BL	TL	HA ⁹⁾	HA ¹⁰⁾	TK ¹¹⁾	TW ¹²⁾
DAY CAB	4.05	2.65	4723	4129	8852	2777	14871	17148	0.39	0.18	1.94	5.66	5.88	8.16	1.14	1.09	14.15	15.51
	4.55	2.90	4633	4167	8800	2867	14833	17200	0.39	0.18	1.94	6.45	6.69	8.91	1.14	1.10	15.45	16.83
	5.00	3.20	4777	4308	9085	2723	14692	16915	0.39	0.18	1.94	7.26	7.53	9.66	1.14	1.10	16.62	18.02
	5.55	3.75	4747	4409	9156	2753	14591	16844	0.39	0.18	1.94	8.16	8.46	10.76	1.14	1.10	18.05	19.47
	6.00	3.25	4750	3879	8629	2750	15121	17371	0.39	0.18	1.94	8.97	9.30	10.71	1.13	1.08	19.23	20.66
SLEEPER CAB	WB	AE ⁵⁾	Front	Rear	Total	Front	Rear	Total	AC	CB ⁶⁾	CH ⁷⁾	BL ⁸⁾	BL	TL	HA ⁹⁾	HA ¹⁰⁾	TK ¹¹⁾	TW ¹²⁾
	4.05	2.65	4772	4136	8908	2728	14864	17092	0.82	0.16	1.94	4.86	5.07	8.16	1.14	1.09	14.15	15.51
	4.55	2.90	4683	4174	8857	2817	14826	17143	0.82	0.16	1.94	5.65	5.91	8.91	1.14	1.09	15.45	16.83
	5.00	3.20	4827	4315	9142	2673	14685	16858	0.82	0.16	1.94	6.46	6.75	9.66	1.14	1.09	16.62	18.02
	5.55	3.75	4797	4415	9212	2703	14585	16788	0.82	0.16	1.94	7.36	7.68	10.76	1.14	1.09	18.05	19.47
6.00	3.25	4801	3885	8686	2699	15115	17314	0.82	0.16	1.94	8.18	8.51	10.71	1.13	1.08	19.23	20.66	
SPACE CAB	WB	AE ⁵⁾	Front	Rear	Total	Front	Rear	Total	AC	CB ⁶⁾	CH ⁷⁾	BL ⁸⁾	BL	TL	HA ⁹⁾	HA ¹⁰⁾	TK ¹¹⁾	TW ¹²⁾
	4.05	2.65	4885	4136	9020	2615	14864	16980	0.82	0.16	2.62	4.90	5.13	8.16	1.14	1.09	14.15	15.51
	4.55	2.90	4795	4173	8969	2705	14827	17031	0.82	0.16	2.62	5.70	5.96	8.91	1.14	1.09	15.45	16.83
	5.00	3.20	4940	4314	9254	2560	14686	16746	0.82	0.16	2.62	6.52	6.81	9.66	1.14	1.09	16.62	18.02
	5.55	3.75	4910	4414	9324	2590	14586	16676	0.82	0.16	2.62	7.43	7.75	10.76	1.14	1.09	18.05	19.47
6.00	3.25	4913	3884	8798	2587	15116	17202	0.82	0.16	2.62	8.25	8.58	10.71	1.13	1.08	19.23	20.66	

OTHER DIMENSIONS	VA: 1.46	WT: 1.40	HV ¹³⁾ : 1.17	HV ¹⁴⁾ : 1.08	RB: 0.79	SB: 1.82	TB ¹⁵⁾ : 2.45
------------------	----------	----------	--------------------------	--------------------------	----------	----------	--------------------------

- GVM in conformity with registration documents.
- GCM in conformity with registration documents.
- Axle load with standard tyre size.
- Chassis and cab weight calculated with: Standard specification items only with 220 litres of fuel, 45 litres of AdBlue® and driver of 90 kg, tolerance ± 3%. Changing of the specification can have major impact on vehicle weight.
- Other AE dimensions may be available for shown WB. Modify rear overhang to the calculated body length.
- CB is based on standard air intake and/or exhaust.
- Cab height is measured from frame member to closed cab roof hatch. With air intake on cab roof add: 0.14 m (for MX-11); add 0.21 m for MX-13.

- Calculate customer specific body length with TOPEC. Body lengths shown based on evenly distributed load at max axle load.
- Unladen height at centre of driven axle(s).
- Laden height at centre of driven axle(s).
- TK = turning circle between kerbs.
- TW = turning circle between walls.
- Unladen height at centre of front axle(s).
- Laden height at centre of front axle(s).
- TB is overall width at rear. (At lower cab step 255).

Depending on the vehicle configuration a specific option may not be possible. The availability and specification of this vehicle may differ per country. For further information please contact the DAF organisation. Pictures and technical illustrations are not binding in detail and can differ from the standard specification. Subject to modification without prior notice.